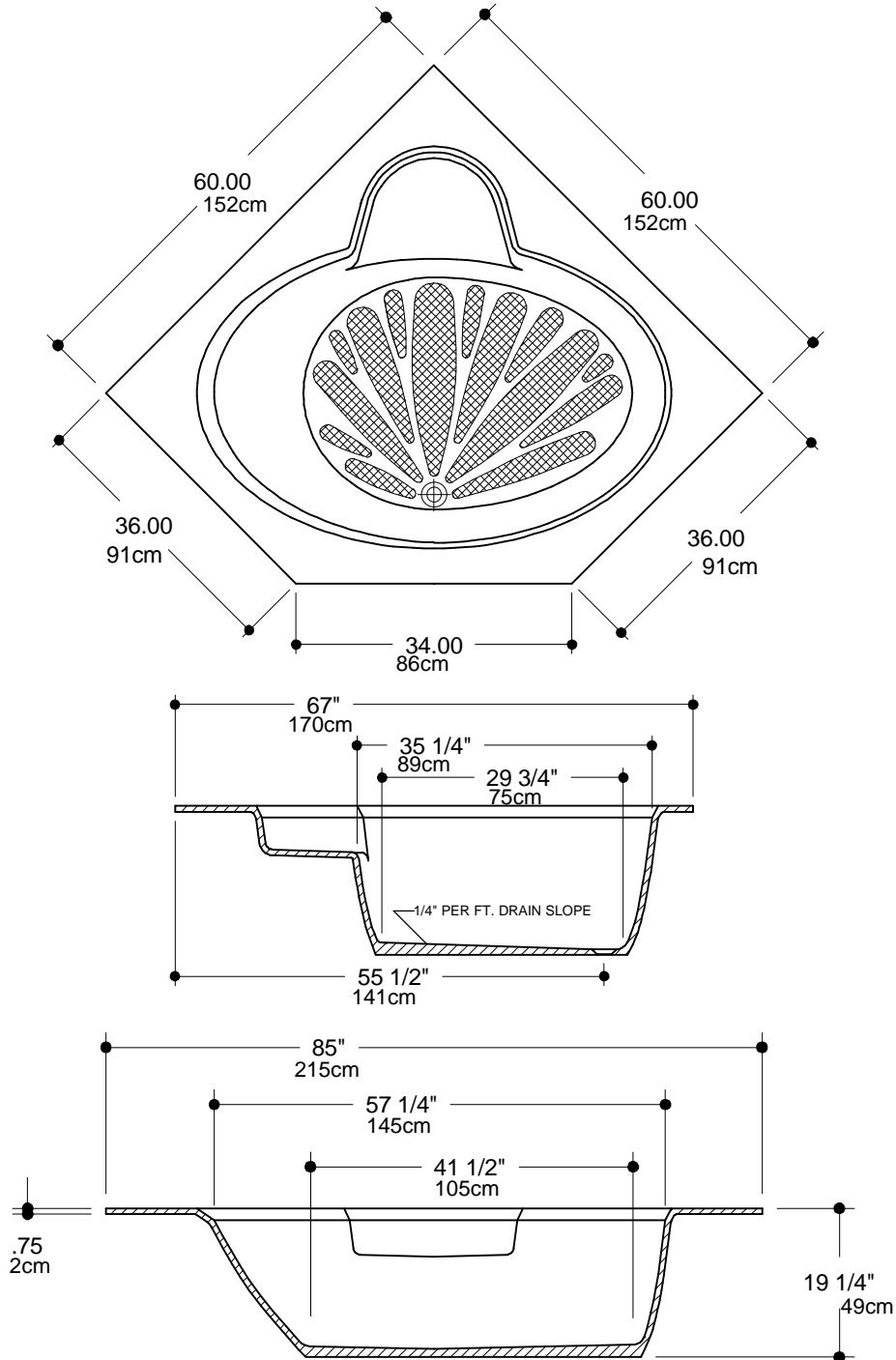


MK50



MOLD PART	CATALOG No.	DESCRIPTION
MALE	29050-M	MK 50 MALE
FEMALE	490508-M	F-MK 50 ONE PIECE 3/4"
INSERT	490503-M	F-MK 50 INSERT 3/4"
FEMALE	490509-M	ULFF MK 50 1/2"
INSERT	4905091-M	ULFF MK 50 INSERT 1/2"
NAME	MK 50 CRNR. NEOTUB 60" X 60" X 36" (152cm X 152cm X 91cm)	
CAST WEIGHT	SCALE 1/2" = 1' 0"	DATE 8-30-02 PAGE No. T-44